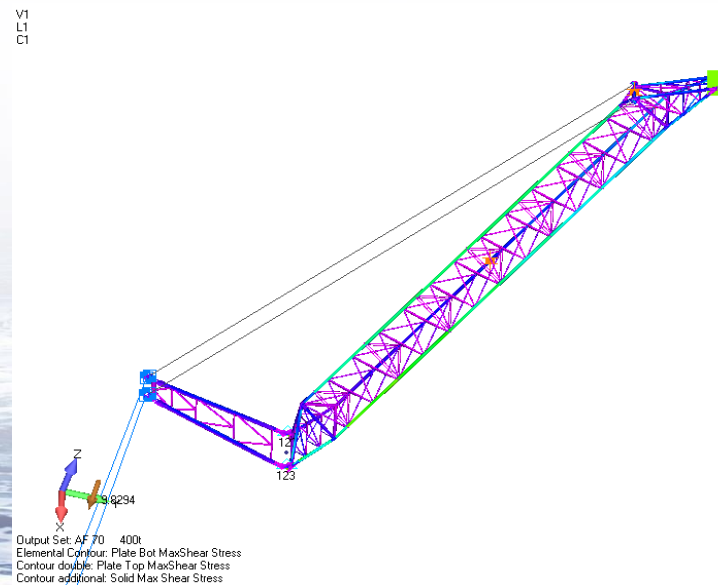


Heavy Lift Equipment

144metre high lift boom 400metric tonne SWL

Eide Marine Engineering BV, designed a 144m long high lifting boom with a lifting capacity of 400 Metric tonne for Asian Lift Pte Ltd.

- The high lift boom is build up in several bolted sections such it can be easily transported, handled and stored.
- Classification society: ABS
- Completed: 2014



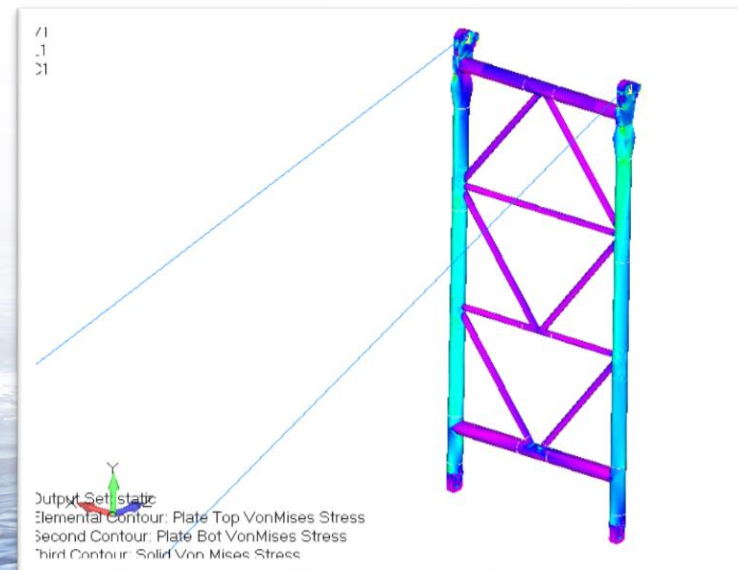
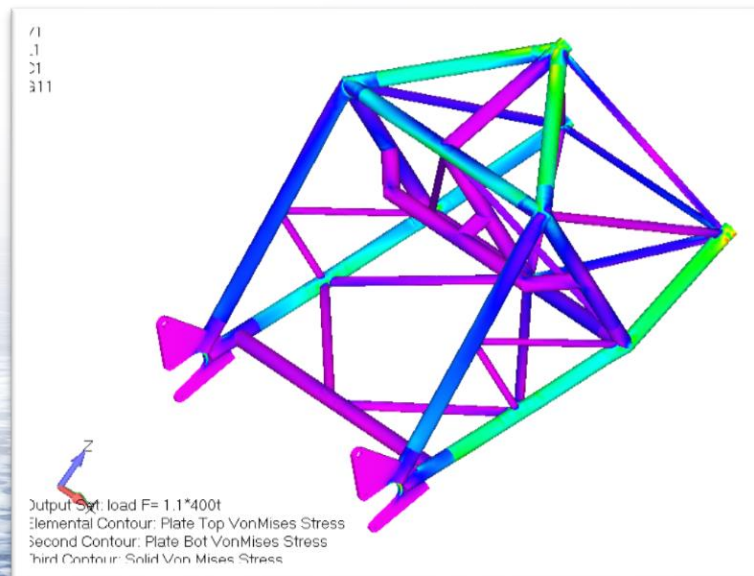
Heavy Lift Equipment

Jib-V Adaptor 400metric tonne SWL

To be able to fit the existing 400metric tonne high lift boom with a length of 144m on top of the Asian Hercules III, [Eide Marine Engineering BV](#) received the order from Asian Lift Pte Ltd to design a Jib-adaptor ,outrigger and relevant parts.

Classification society: ABS

Status : Design completed, building not yet scheduled



Heavy Lift Equipment

Various Lifting Equipment

[Eide Marine Engineering BV](#), is the expert in delivering tailor made designs for various lifting tools.

A selection of the lifting tool designs made by Eide:

- 900 T SWL variable lifting beams
- 450 T Fiber Sling adaptors
- 1600 T & 800 T Spreader beams
- Various pad-eyes (10 – 500 T)

Due to the in-house expertise and close relations with classifications societies a short delivery time can be achieved.



Heavy Lift Equipment

900 metric tonne quick release lifting beams

Eide Marine Engineering BV, designed two 900t SWL lifting beams to be used for the Eide Barge 5

- The lifting beams are utilized with a hydraulic quick release system for automatic disconnection the fibre lifting slings below the waterline.
- Classification society: DNV
- Completed 2010

